

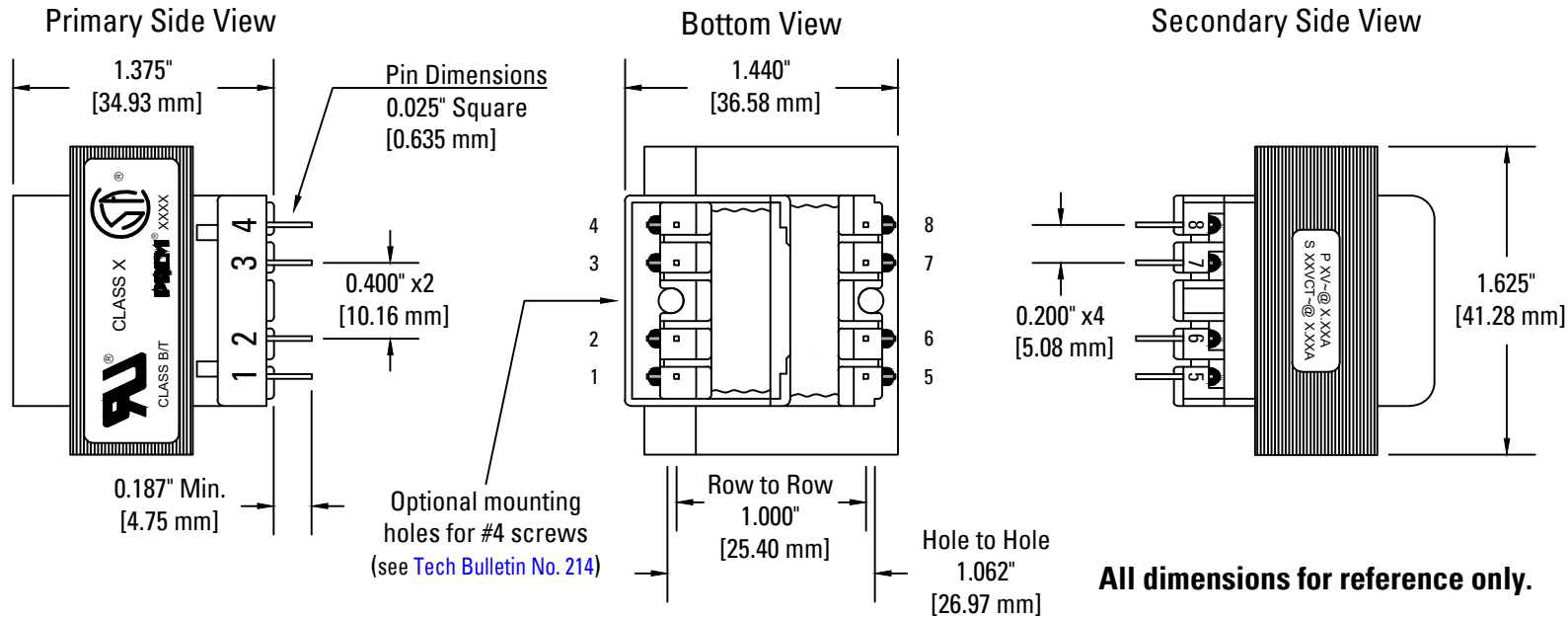
Prem's **SPW-1100 Series** is a group of 5.0VA, International-Capable, Standard Profile, PC mount transformers with dual 115/230V primaries and dual secondaries that are designed to be used in low power applications. They provide the high isolation, creepage, and clearance distances required to comply with many international safety standards.

- Dual primaries & dual secondaries: Must be series or parallel connected
- Insulation system: Class B (130°C), UL 1446 (File E85315)
- Dielectric strength: 4500Vrms primary to secondary
- UL94V-0-rated bobbin & shroud
- Shrouded primary & three flange bobbin design; no electrostatic shield required
- Anchor, insulating, and crossover tapes plus two distinct, separate windings for each primary & secondary assure excellent dielectric strength capabilities
- 100% final tested: Every transformer is tested on automated panels for induced voltage (shorted turns), exciting current, open circuit voltage (turns ratio), polarity (phasing), and dielectric strength
- Immersed in 100% solids epoxy resin to withstand most aqueous and solvent cleaning systems
- Other primary and secondary voltages may be custom designed to your specifications

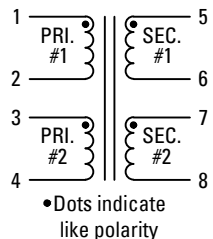
## SPW-1100 Series (5.0VA) Data Sheet

### AGENCY CERTIFICATIONS:

UL 1446 (File E85315)  
 UL 1950 (File E125106)  
 UL 1585/5085-3 Class 2 & 3 (File E125107)  
 UL tested to CAN/CSA C22.2 No. 66.1-06 & No. 66.3-06 Class 2 (File 063944)



### Schematic



PRIMARY AND SECONDARY WINDINGS ARE DESIGNED TO BE USED AS ONE PRIMARY AND ONE SECONDARY WINDING WITH EITHER SERIES OR PARALLEL CONNECTIONS ONLY.

Input Voltage 1-4 (tie 2-3): 230V @ 50/60Hz  
 Input Voltage 1-4 (tie 1-3, 2-4): 115V @ 50/60Hz

Secondary Series Connections: Tie 6-7; output 5-8  
 Secondary Parallel Connections: Tie 5-7, 6-8; output 5-8

### FUSE TYPES/VALUES USED TO GAIN SAFETY AGENCY COMPONENT RECOGNITION:

Fuse circuit location: Primary Fuse manufacturer: Bussmann (Eaton / Cooper)  
 Fuse P/N: MDL-1/16 (230V Input) or MDL-1/8 (115V Input)

PART NUMBER	RMS RATING WITH SECONDARIES IN:	
	SERIES	PARALLEL
SPW-1100	10VCT @ 500mA	5V @ 1.0A
SPW-1101	12.6VCT @ 400mA	6.3V @ 800mA
SPW-1102	16VCT @ 310mA	8V @ 620mA
SPW-1103	20VCT @ 250mA	10V @ 500mA
SPW-1104	24VCT @ 210mA	12V @ 420mA
SPW-1105	28VCT @ 180mA	14V @ 360mA
SPW-1106	36VCT @ 140mA	18V @ 280mA

6/3/19 | -3 | Updated agency approvals; updated fuse mfr. name | AG

11/9/15 | -2 | Updated agency approvals | RR

DATE | ISS. | REVISION | BY

Designed by: JRH 8/17/89  
 Drawn by: AG 5/21/19  
 Checked by: DB & TJK  
 Drawing rev.: SPW-1100-3

**PREM**  
 MAGNETICS, INC.

3521 N Chapel Hill Rd  
 Johnsburg, IL 60051  
[www.premmagnetics.com](http://www.premmagnetics.com)